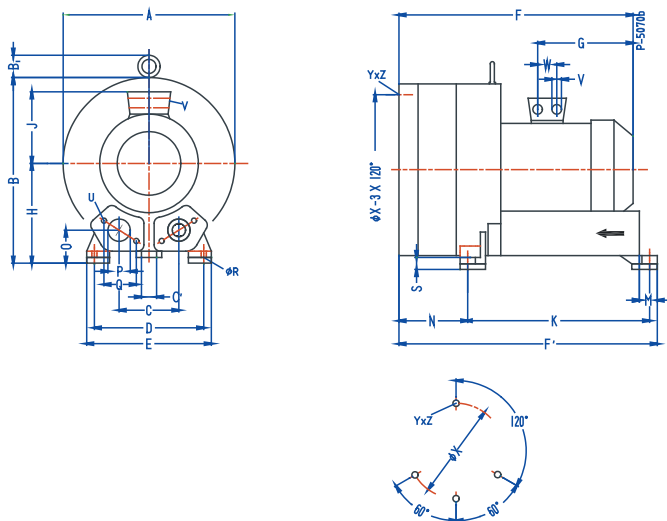


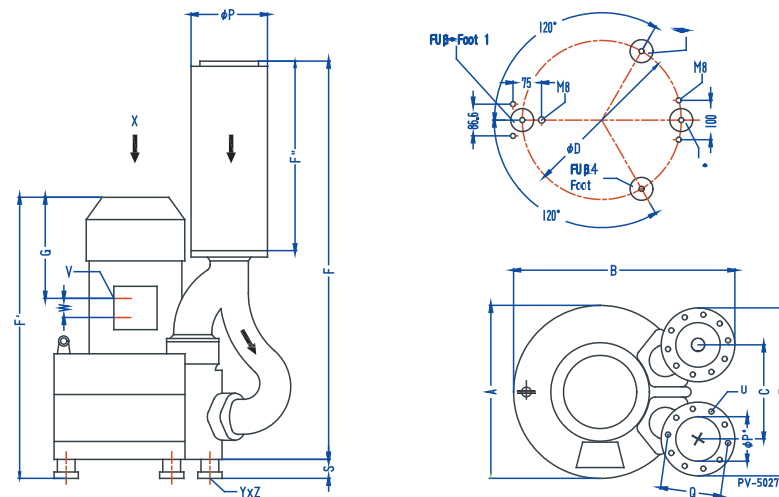
# 侧风道风机尺寸RHG940.,RHG943.(mm)



RHG940.



RHG943.



TYPE	Phases																							X-Holes			
型号	相位	A	B	B <sub>1</sub>	C	C'	D	E	F	F'	G	H	J	K	M	N	O	0P	Q	0R	S	U	V		W	0X	YxZ
RHG 940-7H1	3~	615	657	16	207	15	360	415	752	786	345	350	197	533	39	280	142	100	140	15	71	M12×35	4×M40×1.5	54	490	M12×30	120°/60°/60°
RHG 940-7H2	3~																										
RHG 940-7H3	3~								812																		

TYPE	Phases																		YxZ
型号	相位	A	B	C	D	E	F	F'	F''	G	P	P'	Q	S	U	V	W		
RHG 943-7H1	3~	615	723	307	490	526	1201	848	578	291	219	135	201	58	M8×40	4×M40×1.5	54	M12×10.5	
RHG 943-7H2	3~																		
RHG 943-7H3	3~							908		351									