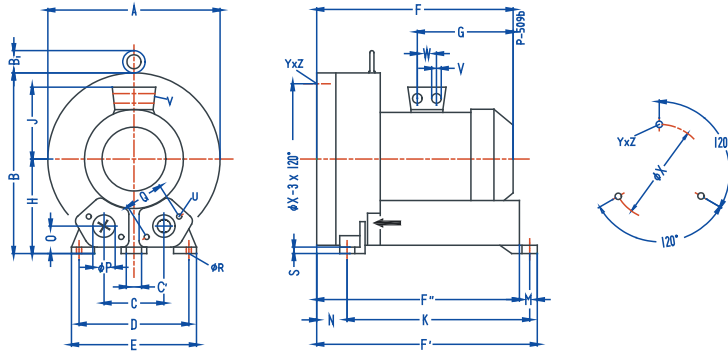


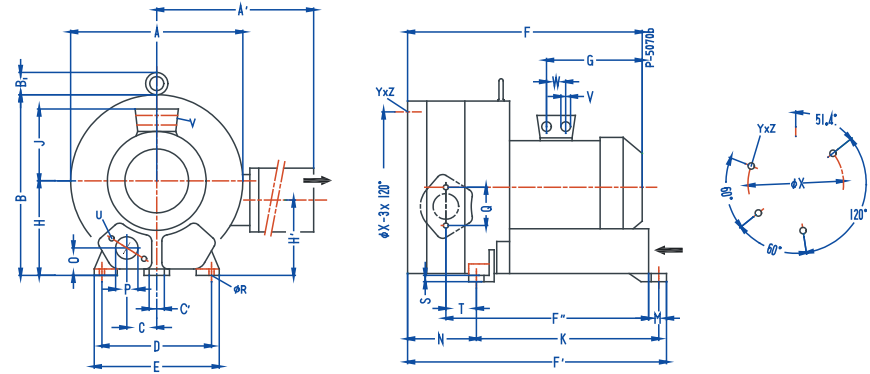
# 侧风道风机尺寸 RHG910.,RHG920.,RHG930.(mm)



RHG910./RHG930.



RHG920.



TYPE	Phases																								X-Holes			
型号	相位	A	B	B <sub>1</sub>	C	C'	D	E	F	F'	F''	G	H	J	K	M	N	O	ØP	Q	ØR	S	U	V	W	ØX	YxZ	X-Holes
RHG 910-7H1	3~	550	569	55	207	15	360	415	525	644	605	268	300	167	533	39	89	92	100	150	15	21	M12x30	4xm32X1.5	42	490	M12x30	0°/120°/240°
RHG 910-7H2	3~								611			345		197										4xm40X1.5	54			
RHG 910-7H3	3~																											
RHG 930-7H1	3~								563	682	643	268		167			127							4xm32X1.5	42			
RHG 930-7H2	3~								649			345		179										4xm40X1.5	54			
RHG 930-7H3	3~																											

TYPE	Phases																								X-Holes						
型号	相位	A	A'	B	B <sub>1</sub>	C	C'	D	E	F	F'	F''	G	H	H'	J	K	M	N	O	ØP	Q	ØR	S	T	U	V	W	ØX	YxZ	X-Holes
RHG 920-7H1	3~	615	780	607	16	103.5	15	360	415	752	786	634	345	300	234	197	533	39	230	92	100	150	15	21	117	M12x30	4xm40X1.5	54	490	M12x30	51.4°/120°/240°
RHG 920-7H2	3~																														
RHG 920-7H3	3~																														
RHG 920-7H4	3~									812																					